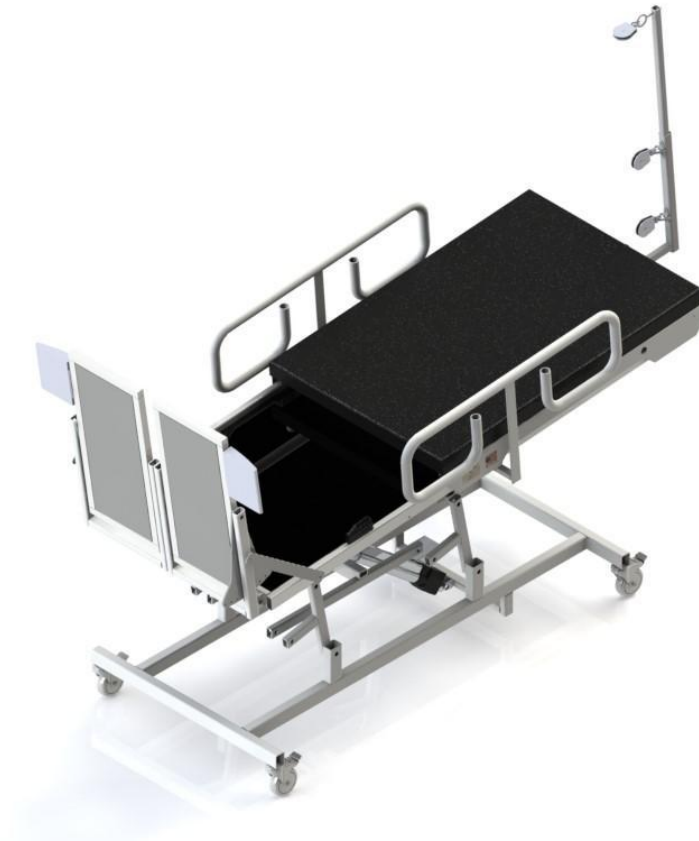


THE MAT TABLE

MULTIPLE APPLICATIONS TABLE



Contact information:

www.thematable.com
info@thematable.com
(269) 569 – 4414

Excellence in Rehabilitation
28682 E Red Arrow Hwy.
Paw Paw, MI 49079

Contents

BEFORE YOU BEGIN...	3
GROUNDING INSTRUCTIONS	5
IMPORTANT PRECAUTIONS	6
PRODUCT SPECIFICATIONS	7

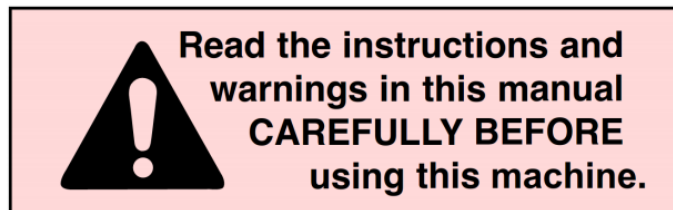
BEFORE YOU BEGIN...

WARNING

Failure to read and follow the safety instructions in this manual may result in serious injury or death. Hazards include falling, overexertion, strained muscles, pinched fingers or pulled hair. Changes or modifications to The MAT may void the warranty and may violate U.S. Federal Communications Commission (FCC) Rules.

CAUTION- FOR YOUR OWN SAFETY

READ YOUR OWNER'S MANUAL THROUGH COMPLETELY AND CAREFULLY BEFORE ATTEMPTING TO SET-UP OR OPERATE THIS MACHINE. ALL OPERATORS OF THIS EQUIPMENT SHOULD READ AND UNDERSTAND ALL SAFETY RULES PRINTED ON THE MACHINE AND IN THIS OWNERS MANUAL BEFORE USE





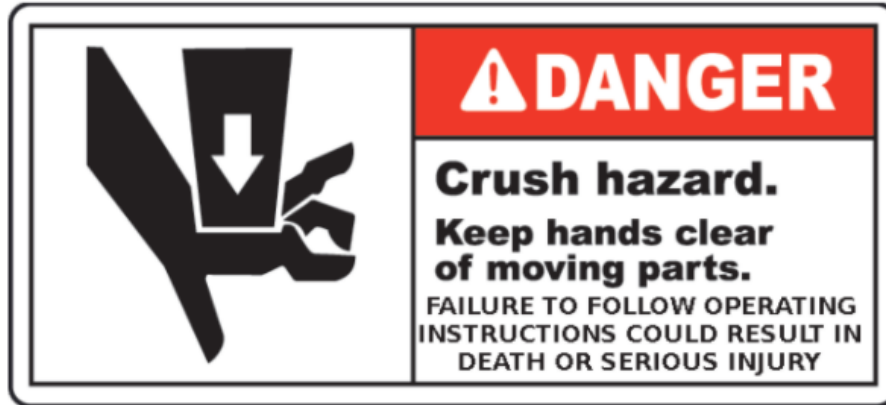
WARNING



	<p>⚠ DANGER</p> <p>Hazardous voltage. Disconnect all power before working on this equipment. Failure to observe this instruction will result in death or serious injury.</p>
---	--



WARNING



**FAILURE TO FOLLOW OPERATING
INSTRUCTIONS COULD RESULT IN
DEATH OR SERIOUS INJURY**



WARNING



READ CAREFULLY THE PRODUCT INSTALLATION & OPERATIONS INSTRUCTIONS. FAILURE TO FOLLOW THE INSTRUCTIONS AND WARNINGS IN THE MANUAL MAY RESULT IN SERIOUS OR FATAL INJURY AND/OR PROPERTY DAMAGE, AND WILL VOID THE PRODUCT WARRANTY. THIS PRODUCT MUST BE INSTALLED BY A QUALIFIED PROFESSIONAL. FOLLOW ALL APPLICABLE LOCAL AND STATE CODES.

GROUNDING INSTRUCTIONS

FOLLOW THESE IMPORTANT GROUNDING INSTRUCTIONS

Connect this device to a properly grounded outlet only. Improper connection of the equipment grounding connector can result in the risk of electric shock. Do not modify the plug that is provided with this device. If it will not fit in the outlet, have a proper outlet installed by a qualified electrician.

This device must be grounded. If it should malfunction or break down, grounding provides a path of least resistance for electric current to reduce the risk of electric shock.

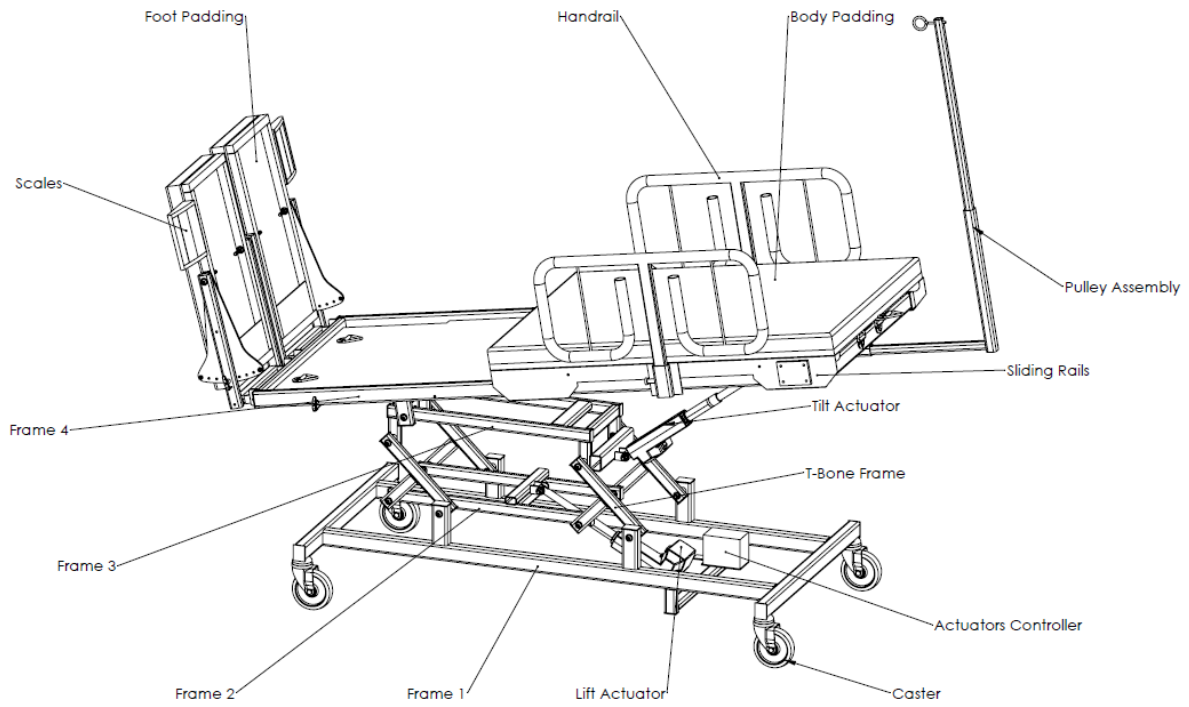
This device is equipped with a cord having an equipment-grounding conductor and a grounding plug. The plug must be plugged into an appropriate outlet that is properly installed and grounded in accordance with all local codes and ordinances.

IMPORTANT PRECAUTIONS

- 1)** This product must be used by a medical professional only or under the supervision of a medical professional.
- 2)** Clinicians should inform patients of the risk of exercise and monitor their adherence to all safety precautions.
- 3)** Use only as instructed. Do not permit anyone to stand on this device. Do not permit anyone to be under the device when plugged in.
- 4)** All exercise programs should be conducted under the supervision of a medical professional. Do not leave patients unattended on this device.
- 5)** All patients must inform a medical professional of any discomfort.
- 6)** Patients must wear appropriate exercise attire and tie long hair back. Patients must keep their fingers, hair and loose clothing away from all moving parts.
- 7)** To ensure safe functionality, this device must be inspected by a medical professional before every use.
- 8)** The maximum load capacity on this device is 500 lbs.
- 9)** Manufacturer recommended accessories must be used on this device.

- 10)** This device is intended for indoor use only.
- 11)** Should orthostatic hypertension be a suspected condition of the patient, use thoracic safety belt with Tilt table function.
- 12)** Never insert any objects into openings or moving spaces of the MAT.
- 13)** Servicing, other than the procedures in this manual, should be performed by an authorized service representative only.

PRODUCT SPECIFICATIONS GEN 3 MAT



LENGTH:
Folded..... 75"
In Use..... 95"

HEIGHT:
Folded..... 22"
In Use..... 65"

WIDTH.....30"
WEIGHT..... 250lbs
MAX. USER WEIGHT.....500lbs